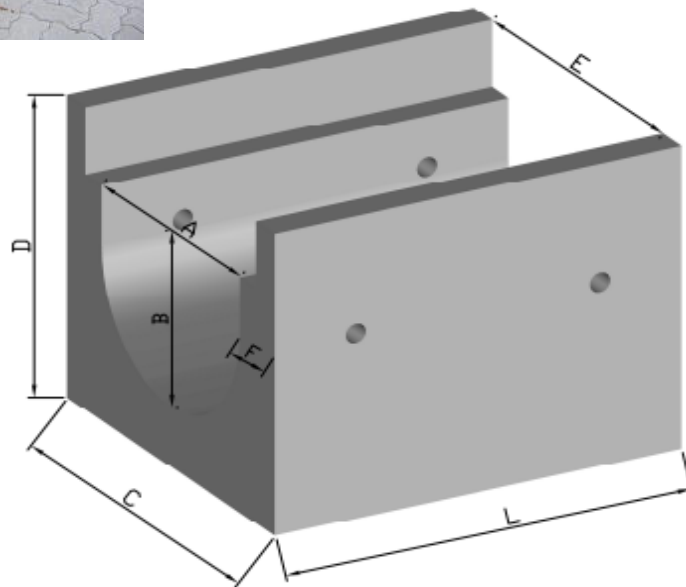


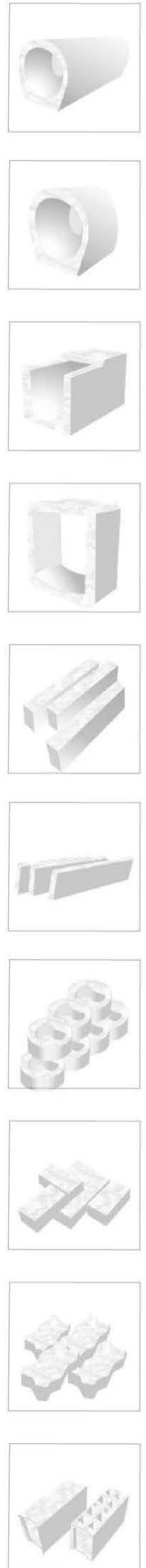


CONCRETE:
min. C 25

Also reinforced available on request



LEGEND:
U AAAA - BBBB
↑ ↑ ↑
U-Drain open width [mm] open depth [mm]



Product ID	Description	Dimension [mm]							App. Weight [kg]	corresponding Cover Slab
		A	B	C	D	E	F	L		
26030	U 350 - 310	300	310	460	370	--	60-80	600	103	--
26210	U 450 - 300	450	300	750	600	590	150	1,000	600	S 580 - 150
26220	U 450 - 450	450	450	750	750	590	150	1,000	715	S 580 - 150
26230	U 450 - 600	450	600	750	900	590	150	1,000	820	S 580 - 150
26310	U 600 - 450	600	450	900	770	740	150	1,000	806	S 730 - 150
26320	U 600 - 600	600	600	900	920	740	150	1,000	914	S 730 - 150
26330	U 600 - 750	600	750	900	1,070	740	150	1,000	1,022	S 730 - 150
26340	U 600 - 900	600	900	900	1,220	740	150	1,000	1,130	S 730 - 150
26130	U 900 - 750	900	750	1,200	1,070	1,040	150	1,000	1,246	S 1030 - 150
26140	U 900 - 900	900	900	1,200	1,220	1,040	150	1,000	1,354	S 1030 - 150
26150	U 1200 - 1200	1,200	1,200	1,500	1,520	1,340	150	1,000	1,832	S 1330 - 150