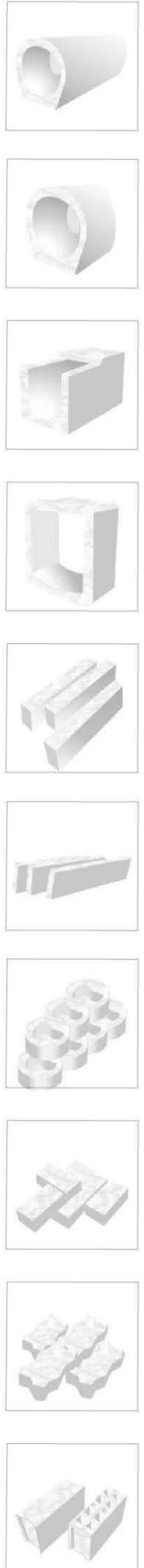
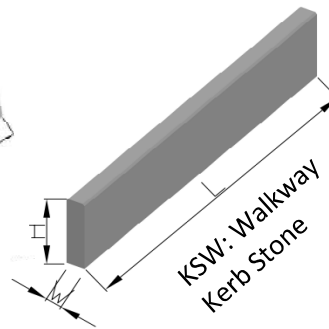
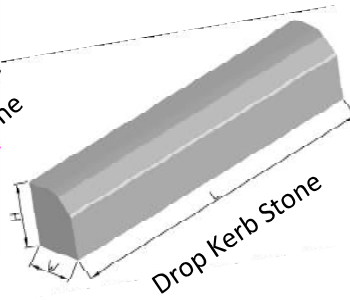
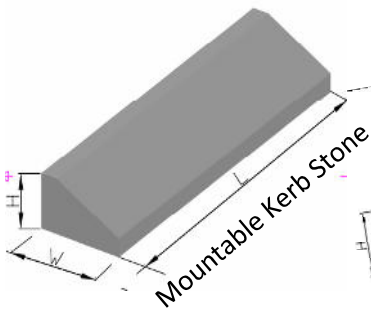
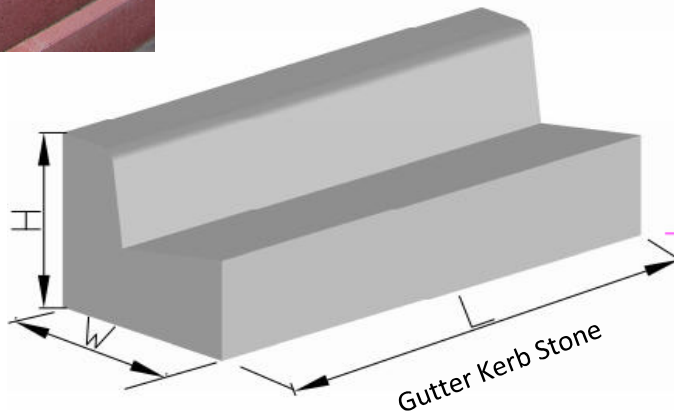
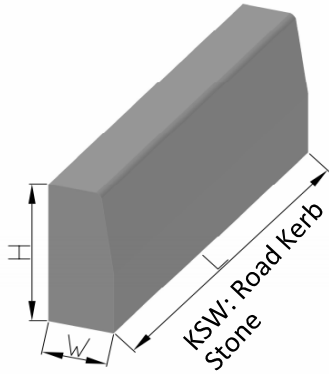
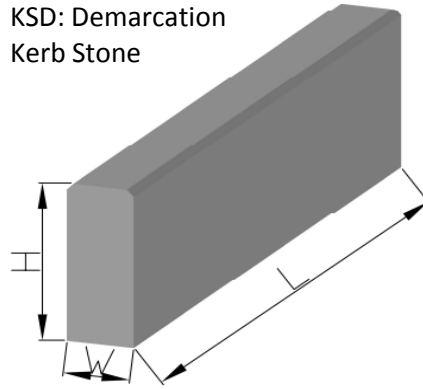




KSD: Demarcation
Kerb Stone



CONCRETE MIN. C30

Standard colours: Grey - custom colours available on request.

Product ID	Description	Dimensions [mm]			Strength [N/mm ²]	Weight [kg/pc]
		L	W	H		
20310	KS 330	330	150	350	30	36
12010	KS 1000	1000	150	350	30	90
12040	KSD 1000	1000	100	200	30	48
12020	KSW 1000	1000	50	200	30	24
20370	KS Gutter 1000	1000	400	350	30	222
20380	KS Drop	1000	150	225	30	77
20390	KS Mountable	1000	150	250	30	66