

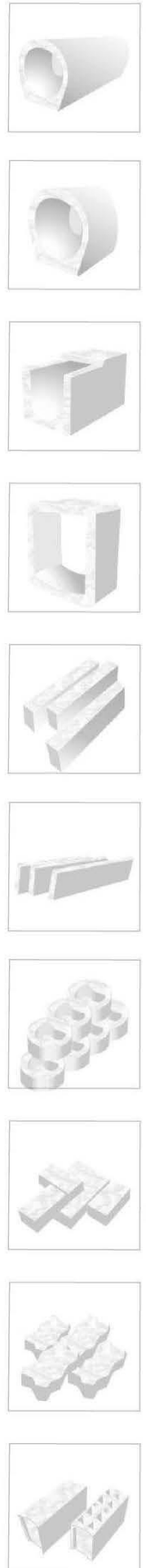
CONCRETE: min C25

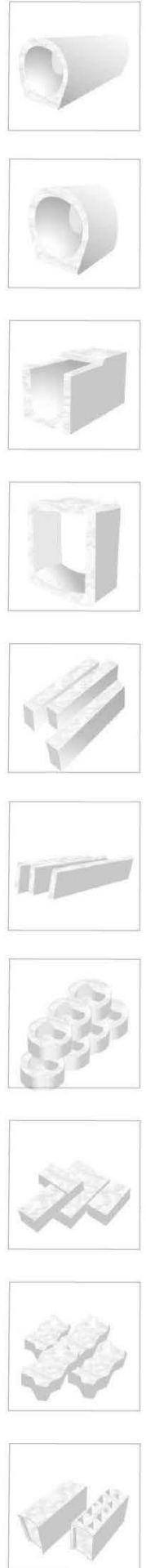
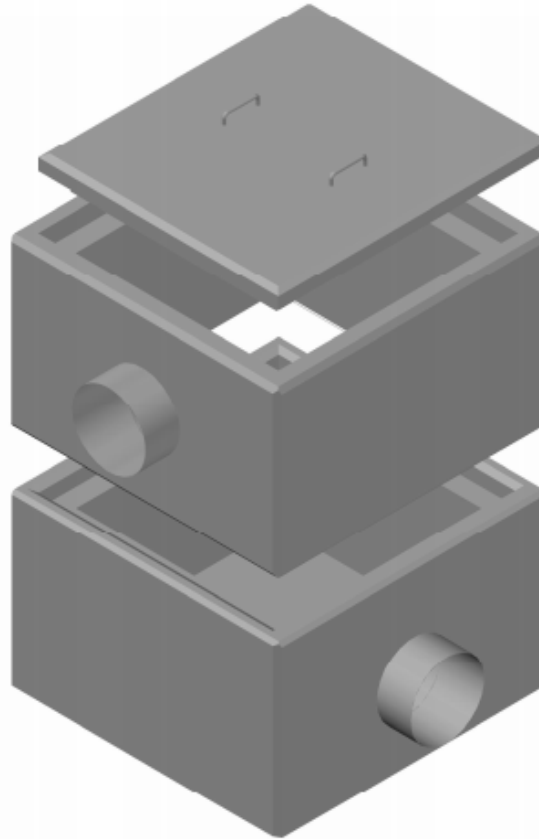
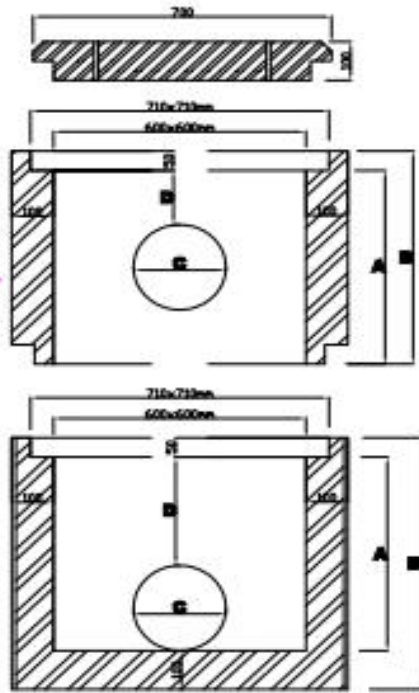
FOR SEWAGE OR STORM WATER DRAINAGE SYSTEMS

Flexible design allows variation of connecting openings in terms of numbers, elevation and diameter !

Product ID	Description	Dimensions [mm]										Wt [kg]
		A	B	C	D	E	F	Ø K	Ø L	Ø M	Ø N	
28360	STW 1	310	450	0	0	0	0	165	-	-	115	183
28370	STW 2	440	600	0	0	0	0	-	165	-	165	223
28390	STW 4	910	1050	0	0	490	290	200	165	165	165	396

Weight of cover: 29 kg





CONCRETE: min C25

FOR SEWAGE OR STORM WATER DRAINAGE SYSTEMS

Flexible design allows variation of connecting openings in terms of numbers, elevation and diameter !

Product ID	Description	Dimensions [mm]										Wt [kg]
		A	B	C	D	E	F	Ø K	Ø L	Ø M	Ø N	
28360	STW 1	310	450	0	0	0	0	165	-	-	115	183
28370	STW 2	440	600	0	0	0	0	-	165	-	165	223
28390	STW 4	910	1050	0	0	490	290	200	165	165	165	396

Weight of cover: 29 kg